

# Allocation of IPv4 Blocks to Regional Internet Registries (Global Proposal)

**Draft Policy 2009-3**



# 2009-3 - History

<b>Original Proposal</b>	<b>13 JAN 09</b>
<b>Public Policy Meetings</b>	<b>Bridgetown, Barbados ARIN XXIII</b>
<b>Draft Policy (with staff and legal assessment)</b>	<b>Needs more work</b>
<b>Current Version</b>	<b>14 SEPT 09</b>

## **Global Proposal (Similar)**

<b>AfriNIC</b>	<b>Board Review</b>
<b>APNIC</b>	<b>Adopted</b>
<b>LACNIC</b>	<b>Adopted</b>
<b>RIPE NCC</b>	<b>Discussion</b>

**AC Shepherds:**

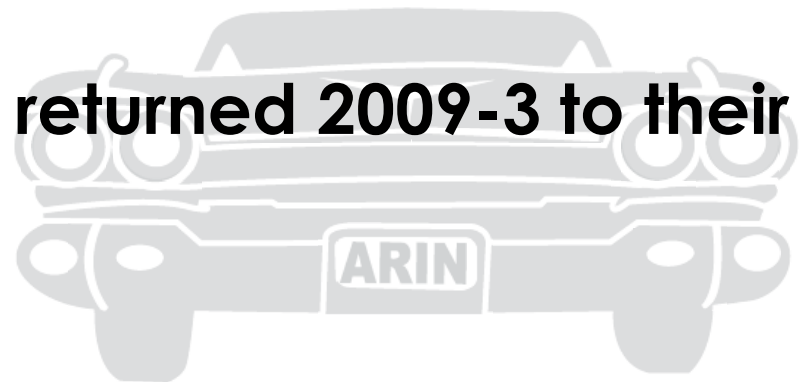
**Scott Leibrand**

**Marla Azinger**



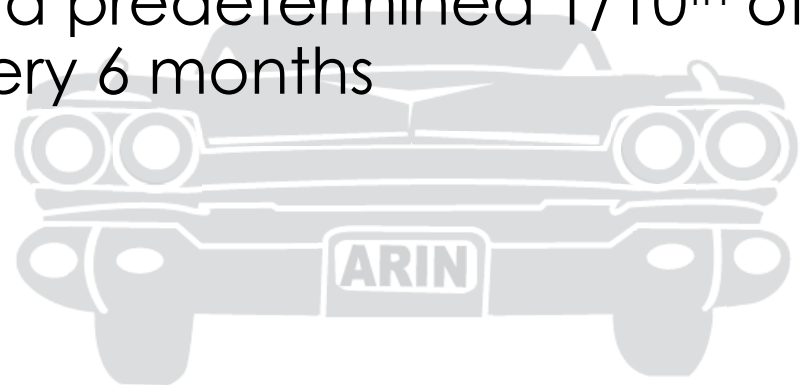
# 2009-3 – Background

- **Original global proposal requires return of address space to IANA**
  - Original version moving forward in AfriNIC, APNIC and LACNIC (RIPE has it under discussion)
- **ARIN version at PPM in San Antonio required return of legacy space to IANA, other space return was “optional” (to be determined by subsequent ARIN policy).**
- **After San Antonio, the AC returned 2009-3 to their docket for more work.**



# 2009-3 - Summary

- **Current ARIN Version of the Global Proposal**
  - RIRs may return IPv4 space to IANA (actual return policy to be determined by local RIR policy)
  - **New IANA to RIR IPv4 allocation policy**
    - Each RIR may request a predetermined 1/10<sup>th</sup> of the IANA free pool every 6 months



# 2009-3 – Staff Assessment

## Legal: Liability Risk?

This version is not objectionable nor fatally flawed.

No

## Staff Comments: Issues/Concerns?

Fractured /8s = serious reverse DNS implications

Yes

## Staff Implementation: Resource Impact?

- Modifications to the existing registration software and systems as well as the zone gen and any other processes tied to managing reverse DNS

- Modifications to existing registration procedures

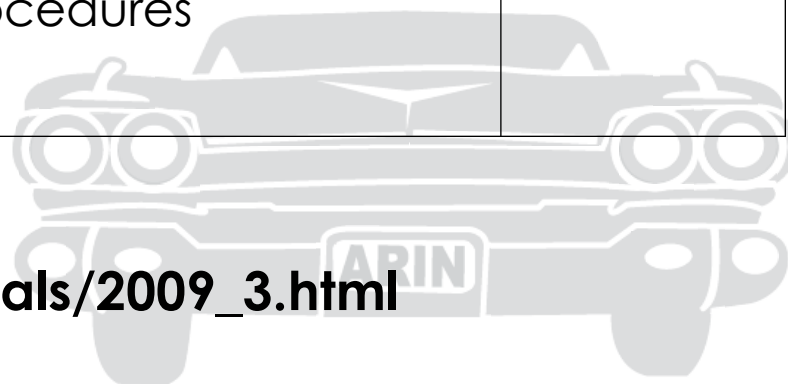
- 6 person months

Moderate

Assessment available:

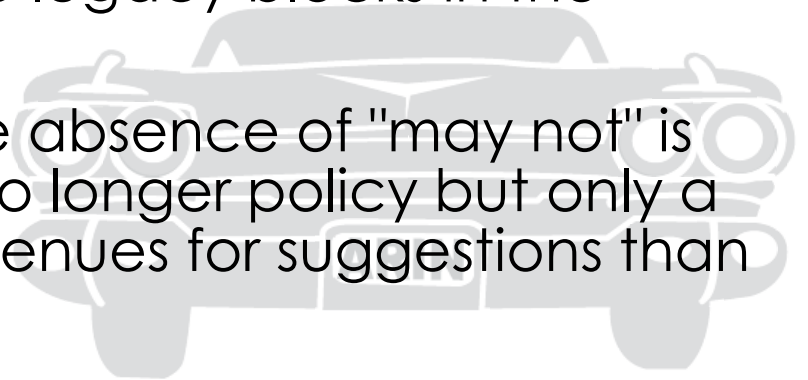
[https://www.arin.net/policy/proposals/2009\\_3.html](https://www.arin.net/policy/proposals/2009_3.html)

And in the Discussion Guide



# 2009-3 – PPML Discussion

- **54 Posts by 15 People**
- **1 in favor, 5 against**
- “We really ought to move 2009-3 forward. Participating in the establishment of a formal mechanism for redistributing addresses between regions is the act of good faith that we need to derail the politics here.”
- “I oppose any policy that allows an RIR to return space to IANA in any smaller unit than IANA originally allocated that particular space to an RIR or directly assigned it to an end-user org (e.g. class B/C legacy blocks in the “Various Registries” /8s)”
- “The problem with “may” in the absence of “may not” is that then the entire clause is no longer policy but only a suggestion. There are better venues for suggestions than in policy.”



# Allocation of IPv4 Blocks to Regional Internet Registries (Global Proposal)

**Draft Policy 2009-3**

